



Ceasefire BALFZ

STEEL WINDOWS

Description

Cease Fire FZ range specifies steel framed windows and doors glazed with clear fire resistant glass. We offer fixed and operable configurations, including awning, casement and sliding options as well as both sliding and hinged glass fire doors.

We offer a selection of standard sizes and configurations to provide a competitive price and lead time to you but we can accommodate custom configurations and sizes if requested.

Fire Resistant Level (FRL)

Half hour (-/30/-) Fire Resistant Level – Integrity Only – to meet the requirements for bush fire construction in BAL Flame Zone applications.

Compliance

Fully Certified to Australian Standard 1530 Part 8.2 (BAL FZ) or Australian Standard 1530 Part 4 as a -/30/- FRL.

Application

Typical applications are fixed, operable and sliding glazed windows and doors in residential houses as well as commercial and public buildings that are exposed to the Flame Zone in the event of a bushfire. See AS3959 for areas deemed to be subject to the Flame Zone.

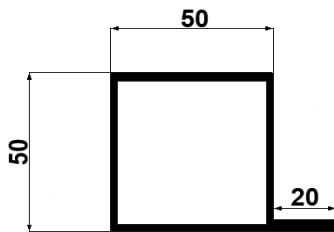
Fixed & Operable Frame Profiles

Standard Profile 5050

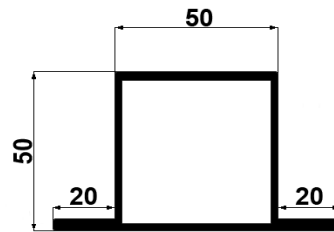
Our Ceasefire BAL FZ standard profile consists of a 50mm x 50mm hollow steel frame section. Dimensions of this profile are illustrated below.

Fixed

5050 L

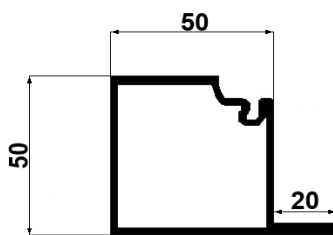


5050 T

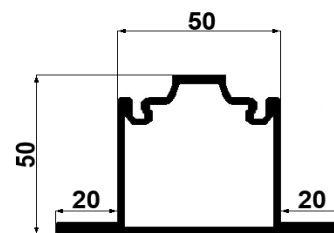


Operable

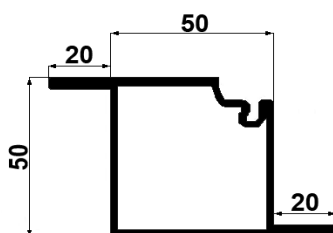
5050 LDN



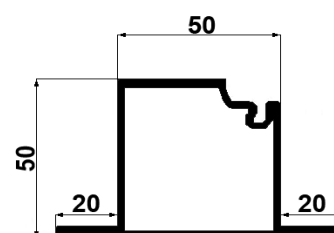
5050 T2DN



5050 ZDN



5050 TDN

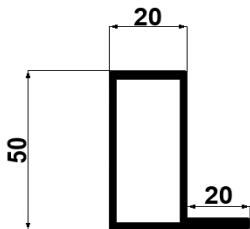


Low Profile 5020 & 2030

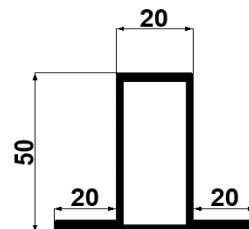
Our Ceasefire BAL FZ low profile consists of a 50mm x 20mm, 50mm x 30mm hollow steel frame section. Can be used in combination with standard profile. Dimensions of this profile are illustrated below.

Fixed

5020 L

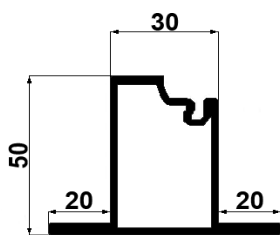


5020 T

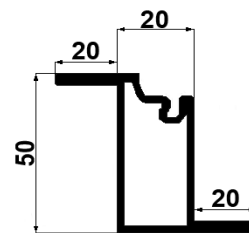


Operable

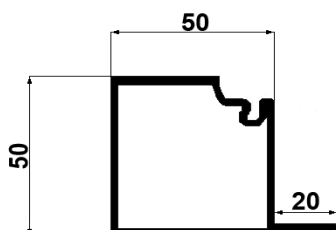
5030 TDN



5020 ZDN



5050 LDN



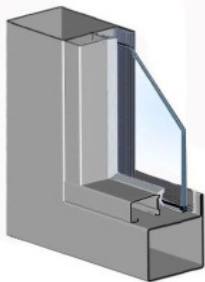
Glazing

We offer a variety of fixed and operable glazing and door configurations selected from our standard configuration sheet or customised to suit your specific needs. Our standard range of configurations varies from single to multiple panes of various heights and widths incorporating various combinations of fixed and operable options. See Ceasefire BAL FZ Standard Configurations and Sizes Information Sheet for further information.

Glass Options

5mm Ceramic

Clear fire resistant glass cut to size.



6mm Borosilicate Toughened & Tempered

Clear fire resistance glass cut to size with polished edges and treated in an oven as part of the toughening and tempering process.

13mm Laminate

Clear fire resistance glass laminated with clear gel interlayers.



Double Glazed Units

Clear fire resistant and solar efficient 23mm thick double glazed units.

Finish

Standard - A four step powder coat process, including; garnet sandblasting, zinc enriched galvanizing, e-powder undercoat and powder coat top coat to selected colour. Standard colour selection is the Dulux Duralloy Range. Higher grade powder coat protection is available upon request.

Optional - Paint finish upon request.

Additional Features & Options

- Translucent films (frosted glass or tinting) to selected colour.
- An option of supply only or supply and installation.

Installation Requirements

- Wall opening must be fire rated with an equal or greater FRL. Examples include; steel stud walls, gypsum block walls, plasterboard and aerated concrete block.
- Wall opening must provide for a 5mm to 10mm clearance around the manufactured frame sizes.
- They can be provided pre-glazed (depending on size) with welded fixing lugs or site glazed into existing fire resistant openings.
- Flashings are to be provided by the builder/owner.

Sealing Details

Glass to frame seal -

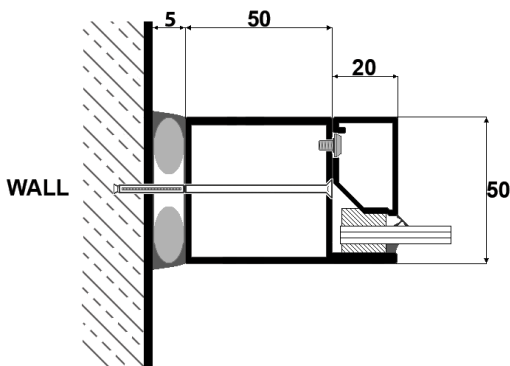
A combination of silicone and glazing tape are used on the external join of the unit. This arrangement creates a weather proof seal. Rubber seals are then used on the internal join.

Frame to wall seal -

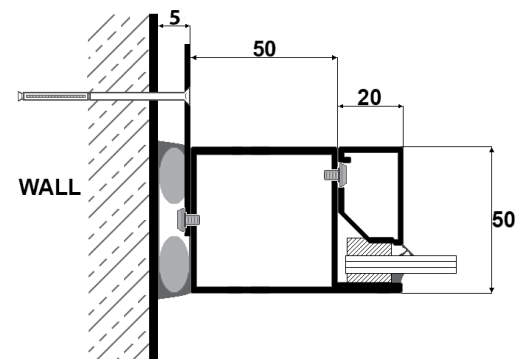
A combination of silicone, fire resistant acrylic and fire resistant flexi foam are used to create a fire and weather proof seal around the frame.

Fixings

Through Fixing



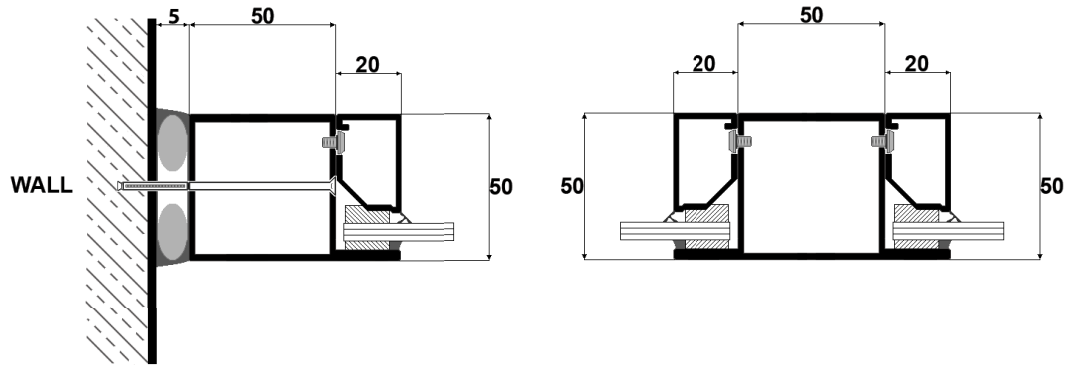
Lug Fixing



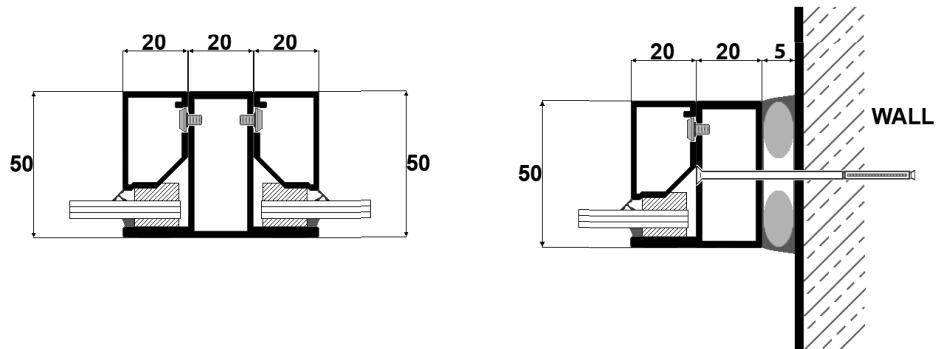
Section Drawings

Fixed Sections

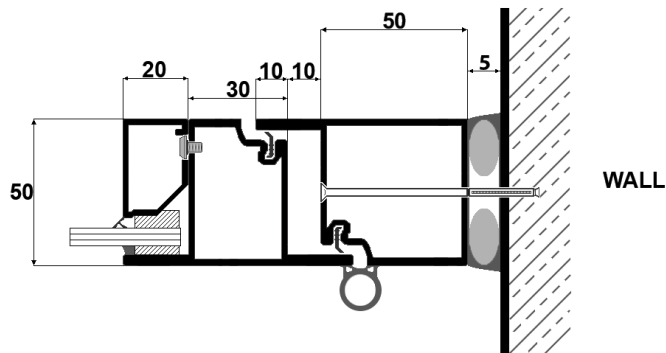
Typical Standard
Perimeter/Mullion
Section



Typical Low Profile
Perimeter/Mullion
Section



Operable Sections



Maximum Overall Frame Sizes Single & Multi Panes (Fixed Only)



Maximum Sizes Based on Single Pane

	Profile 5050		Profile 5020		Modular Units	
	Height	Width	Height	Width	Height	Width
5mm Ceramic	2070	1216	2010	1156	4000	1216 x Unlimited
6mm Borosilicate TT	2400	1370	2360	1310	4000	1370 x Unlimited
13mm Laminated	3000	1200	2940	1140	4000	1200 x Unlimited
23mm Double Glazed Units	2400	1200	N/A	N/A	4000	1200 x Unlimited

*Large scale window configurations may be subject to maximum size limitations. In most cases a modular configuration may be offered to achieve the desired measurements. Max sizes for operable windows and doors will be assessed by our sales team at quotation stage.

Standard Configurations & Codes



F1x1



F1x2



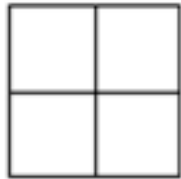
F1x3



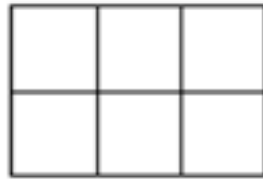
F1x4



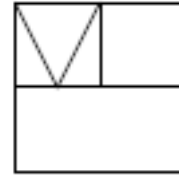
F2x1



F2x2



F2x3



A3TL



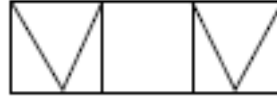
A4TLR



A1x1A



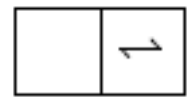
A1x2A



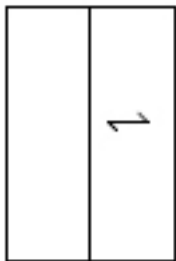
A1x3LR



A1x2L



S1x2R



SDR



D1



D2X1



D1SLL



DP1

*Terms: 1. Nilfire reserves the right to add to, delete, or vary the contents of this document at any time without notification to you. Please check online for the most up to date version of this document.
www.nilfire.com.au

Last Updated 16/8/13